

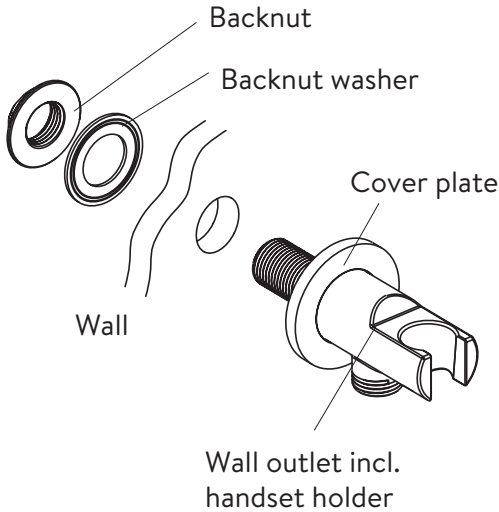
ELISA™



WALL OUTLET AND DOCKING STATION Installation Guide

Installation

With rear access



1

Run pipework from the shower valve to the desired location for the wall outlet ensuring it terminates in a suitable $\frac{1}{2}$ " female connector (not supplied). All pipework and connectors must be secured using suitable fixings.

2

Feed the wall outlet thread through a 22-28mm hole in the wall and secure with the backnut ensuring the backnut washer is fitted between the backnut and the wall, if accessible.

3

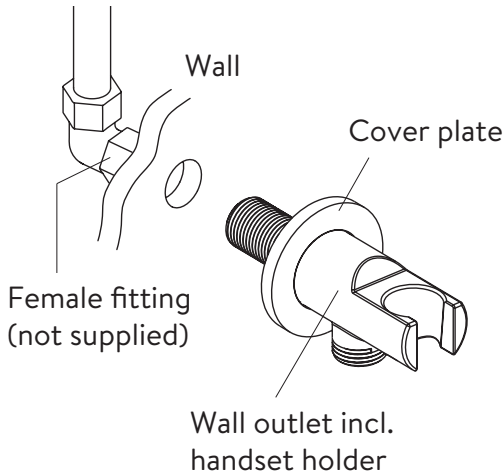
Connect the wall outlet to a suitable $\frac{1}{2}$ " female connector using PTFE tape or similar, to achieve a watertight seal.

4

Temporarily cap off the wall outlet, open the shower valve and check for leaks.

Installation

Without rear access



1

Run pipework from the shower valve to the desired location for the wall outlet ensuring it terminates in a suitable $\frac{1}{2}$ " female connector (not supplied). All pipework and connectors must be secured using suitable fixings.

2

The backnut and backnut washer are not required. Wind the wall outlet thread directly into the $\frac{1}{2}$ " female connector (not supplied) using PTFE tape or similar, to achieve a watertight seal.

3

Temporarily cap off the wall outlet, open the shower valve and check for leaks.

elisabathrooms.com

The Flyers Way, Westerham, Kent TN16 1DE, UK

The company reserves the right to alter, change or modify the product specifications without prior warning.

Q5586 Part No 706263 Issue 01 Nov 21